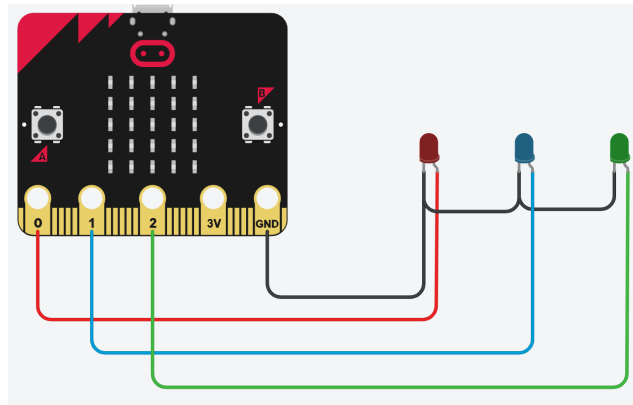


| | |
|--|---|
| Coding Circuits in Series and Parallel | Grade 6 Electrical Phenomena, Energy and Devices |
| Coding Guide | |

Start with this circuit.



Coding Challenge A. Create a program so that the LEDs light up one after the other.

```
forever loop
  digital write pin P0 to HIGH
  wait 1 secs
  digital write pin P0 to LOW
  wait 1 secs
  digital write pin P1 to HIGH
  wait 1 secs
  digital write pin P1 to LOW
  wait 1 secs
  digital write pin P2 to HIGH
  wait 1 secs
  digital write pin P2 to LOW
  wait 1 secs
```

Coding Challenge B. Create a program that will turn on all the LEDs at once.

